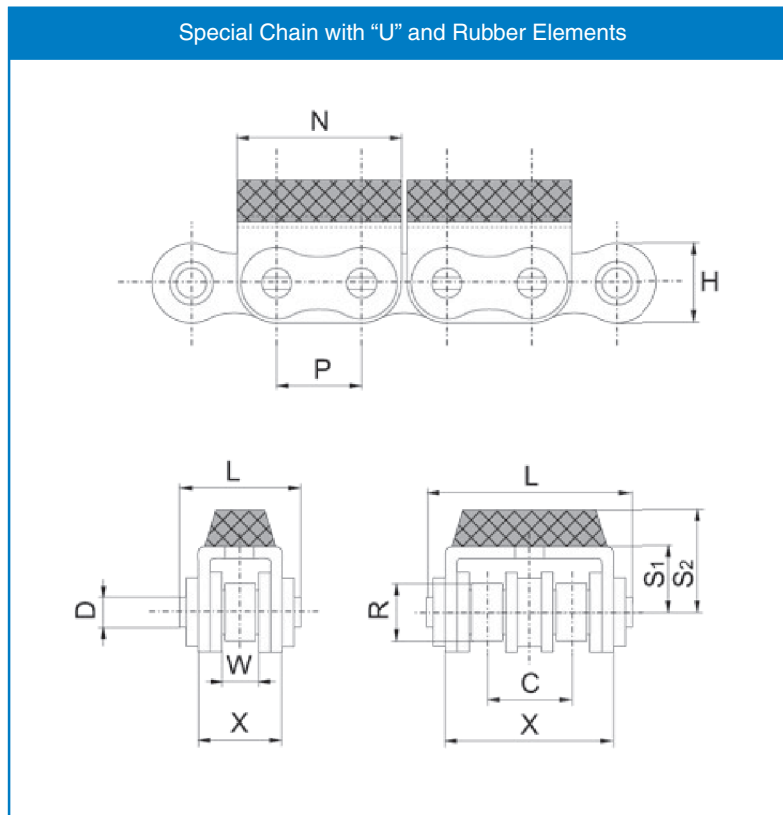


# Roller Chain

## Special Chain with "U" and Rubber Elements

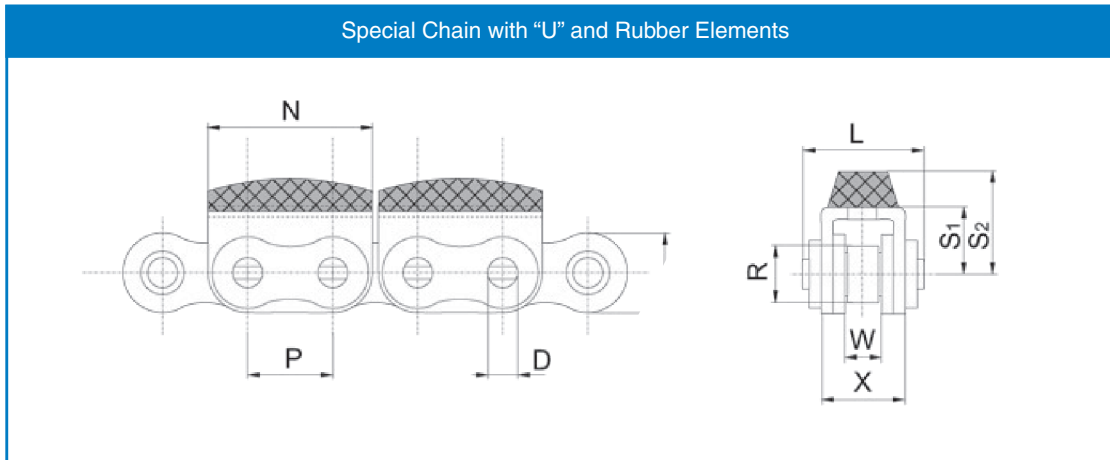


| Model      | Dimensions<br>P x W<br>inch | Pitch<br>P | Working<br>dimensions<br>W min | Roller<br>dia. / Ø<br>R max | Pin<br>dia. / Ø<br>D max | Height of<br>plate links<br>H max | Pin<br>length<br>L max | C     | S <sub>2</sub> | X     | N    | S <sub>1</sub> | Tensile<br>strength<br>kN |
|------------|-----------------------------|------------|--------------------------------|-----------------------------|--------------------------|-----------------------------------|------------------------|-------|----------------|-------|------|----------------|---------------------------|
| 08 B/UG1   | 1/2" x 5/16"                | 12.700     | 7.75                           | 8.51                        | 4.45                     | 10.80                             | 19.60                  | -     | 13.0           | 14.7  | 24.0 | 8.8            | 14.6                      |
| 10 B/UG1   | 5/8" x 3/8"                 | 15.875     | 9.65                           | 10.16                       | 5.08                     | 13.00                             | 22.30                  | -     | 15.5           | 16.7  | 30.0 | 11.3           | 18.2                      |
| 12 B/UG1   | 3/4" x 7/16"                | 19.050     | 11.68                          | 12.07                       | 5.72                     | 16.13                             | 26.50                  | -     | 21.0           | 19.4  | 37.0 | 13.0           | 23.6                      |
| 16 B/UG1   | 1" x 17.02mm                | 25.400     | 17.02                          | 15.88                       | 8.28                     | 21.00                             | 40.10                  | -     | 21.4           | 29.05 | 49.0 | 15.4           | 58.0                      |
| 08 B-2/UG1 | 1/2" x 5/16"                | 12.700     | 7.75                           | 8.51                        | 4.45                     | 10.80                             | 34.00                  | 13.92 | 12.5           | 28.3  | 24.2 | 8.3            | 28.6                      |
| 10 B-2/UG1 | 5/8" x 3/8"                 | 15.875     | 9.65                           | 10.16                       | 5.08                     | 13.00                             | 39.00                  | 16.59 | 15.5           | 33.3  | 30.0 | 11.3           | 36.3                      |

All dimensions in millimetres unless otherwise stated. Every effort has been taken to ensure that the data listed in this catalogue is correct. Challenge accepts no liability for any inaccuracies or damage caused.

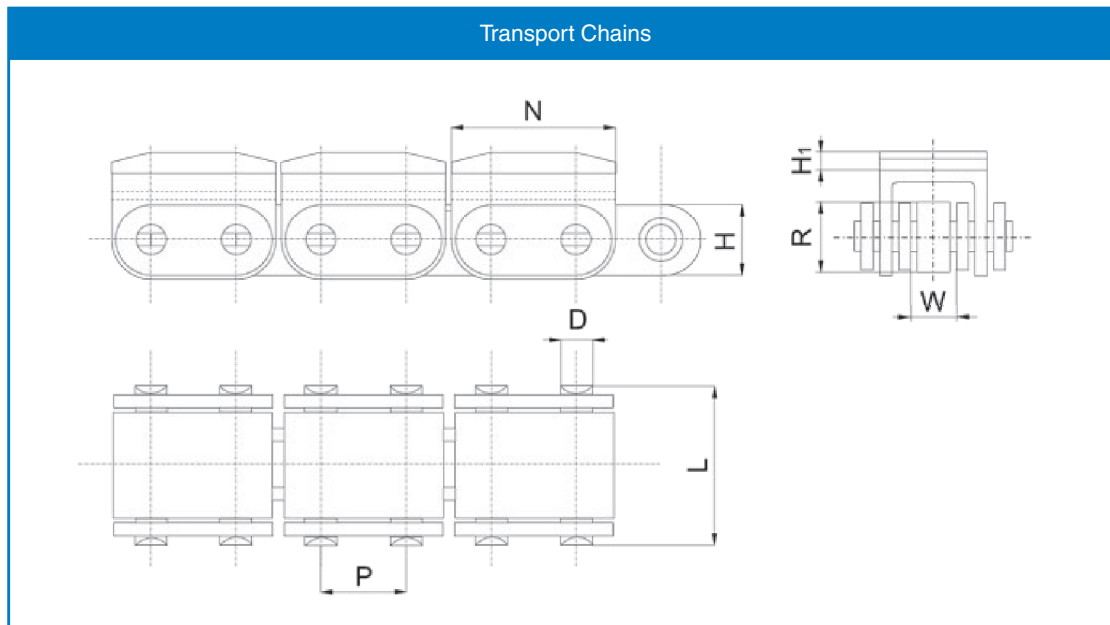
# Roller Chain

## Special Chain with “U” and Rubber Elements



| Model    | Dimensions P x W |  | Pitch | Working dimensions |       | Roller dia. / Ø |       | Pin dia. / Ø |                | Height of plate links |      | Pin length | Tensile strength |    |
|----------|------------------|--|-------|--------------------|-------|-----------------|-------|--------------|----------------|-----------------------|------|------------|------------------|----|
|          | inch             |  | P     | W min              | R max | D max           | H max | L max        | S <sub>2</sub> | X                     | N    |            | S <sub>1</sub>   | KN |
| 08 B/UGR | 1/2" x 5/16"     |  | 12.7  | 7.75               | 8.51  | 4.45            | 10.80 | 19.60        | 13.0           | 14.7                  | 24.0 | 8.8        | 14.6             |    |

## Transport Chains

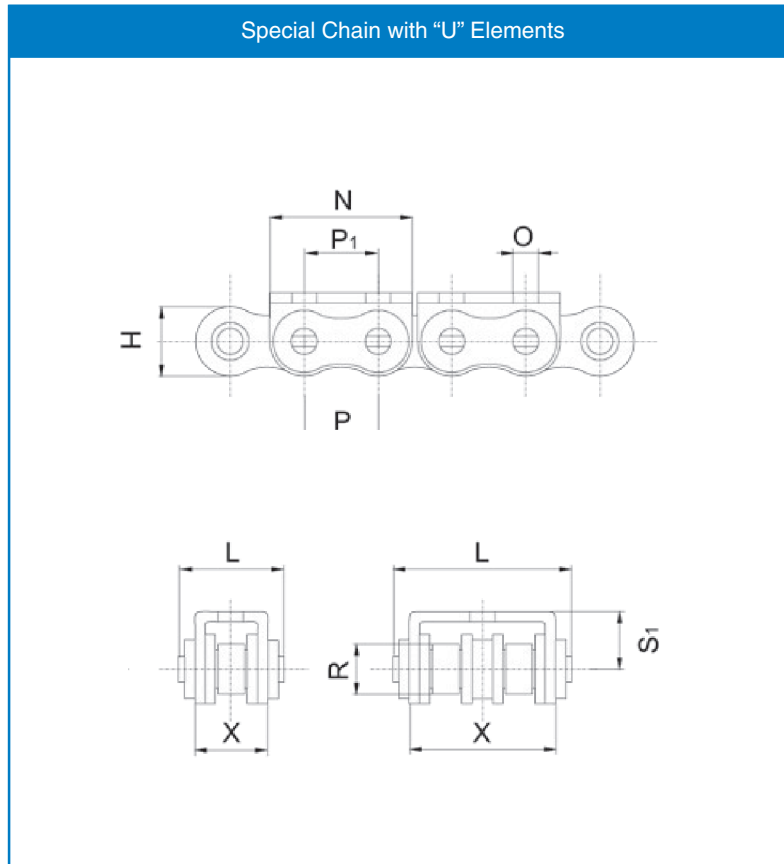


| Model     | Pitch P |      | Working dimensions | Roller dia. / Ø |       | Pin dia. / Ø |       | Height of plate links | Pin length | N  | H <sub>1</sub> | Tensile strength |
|-----------|---------|------|--------------------|-----------------|-------|--------------|-------|-----------------------|------------|----|----------------|------------------|
|           | mm      | inch |                    | W min           | R max | D max        | H max |                       |            |    |                |                  |
| 16B-1/UGS | 25.4    | 1"   | 17.02              | 15.88           | 8.28  | 21.0         | 40.1  | 49.0                  | 6.0        | 58 |                |                  |

Every effort has been taken to ensure that the data listed in this catalogue is correct. Challenge accepts no liability for any inaccuracies or damage caused. All dimensions in millimetres unless otherwise stated.

# Roller Chain

## Special Chain with “U” Elements



| Model    | Dimensions   | Pitch  | Working    | Roller   | Pin      | Height of   | Pin    |   |                |      |      |                | Tensile strength |
|----------|--------------|--------|------------|----------|----------|-------------|--------|---|----------------|------|------|----------------|------------------|
|          | P x W        |        | dimensions | dia. / Ø | dia. / Ø | plate links | length | O | P <sub>1</sub> | X    | N    | S <sub>1</sub> |                  |
|          | inch         | P      | W min      | R max    | D max    | H max       | L max  |   |                |      |      |                |                  |
| 08 B/U1  | 1/2" x 5/16" | 12.700 | 7.75       | 8.51     | 4.45     | 10.8        | 19.6   | - | -              | 14.7 | 24.0 | 8.8            | 14.6             |
| 08 B/U2  | 1/2" x 5/16" | 12.700 | 7.75       | 8.51     | 4.45     | 10.8        | 19.6   | 5 | -              | 14.7 | 24.0 | 8.8            | 14.6             |
| 08 B/U3  | 1/2" x 5/16" | 12.700 | 7.75       | 8.51     | 4.45     | 10.8        | 19.6   | 5 | 12.7           | 14.7 | 24.0 | 8.8            | 14.6             |
| 10 B/U1  | 5/8" x 3/8"  | 15.875 | 9.65       | 10.16    | 5.08     | 13.0        | 22.3   | - | -              | 16.7 | 30.0 | 11.3           | 18.2             |
| 10 B/U2  | 5/8" x 3/8"  | 15.875 | 9.65       | 10.16    | 5.08     | 13.0        | 22.3   | 5 | -              | 16.7 | 30.0 | 11.3           | 18.2             |
| 10 B/U3  | 5/8" x 3/8"  | 15.875 | 9.65       | 10.16    | 5.08     | 13.0        | 22.3   | 5 | 15.8           | 16.7 | 30.0 | 11.3           | 18.2             |
| 08B-2/U1 | 1/2" x 5/16" | 12.700 | 7.75       | 8.51     | 4.45     | 10.8        | 34.0   | - | -              | 28.3 | 24.2 | 8.3            | 28.6             |
| 08B-2/U2 | 1/2" x 5/16" | 12.700 | 7.75       | 8.51     | 4.45     | 10.8        | 34.0   | 4 | 12.7           | 28.3 | 24.2 | 8.3            | 28.6             |
| 10B-2/U1 | 5/8" x 3/8"  | 15.875 | 9.65       | 10.16    | 5.08     | 13.0        | 39.0   | 5 | 15.8           | 33.3 | 30.0 | 11.3           | 36.3             |