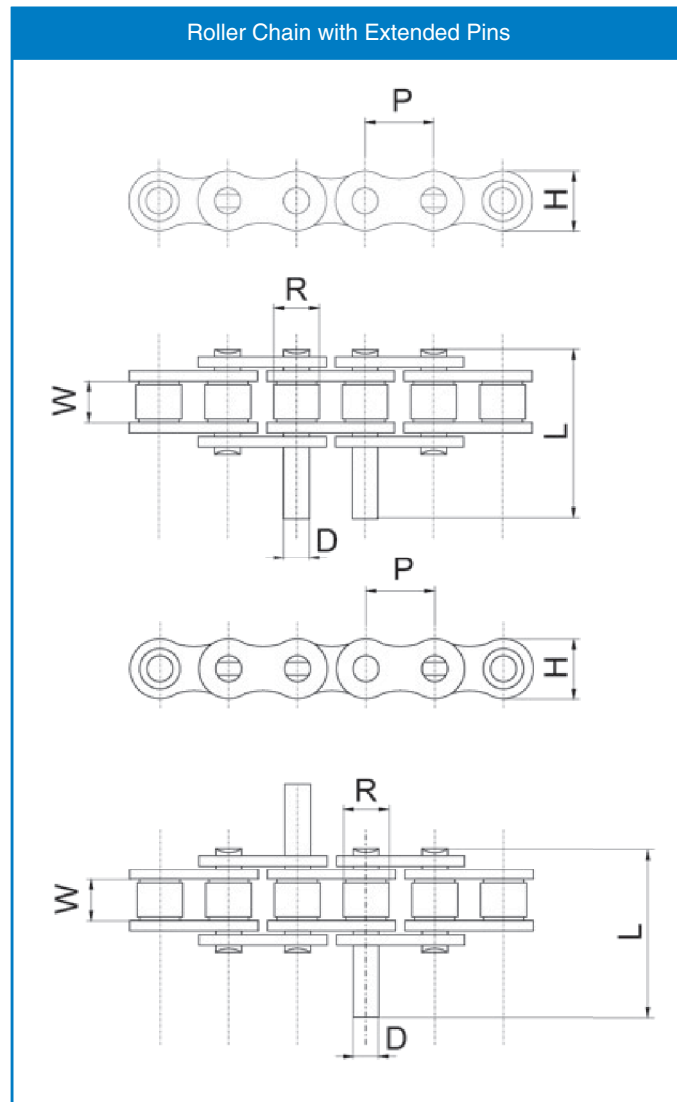


Roller Chain

Roller Chain with Extended Pins



Model	Dimensions P x W inch	Pitch P	Working dimensions W min	Roller dia. / Ø R max	Pin length D max	Height of plate links H max	Tensile strength kN
06 B/L	3/8" x 7/32"	9.525	5.72	6.35	3.28	8.25	9.10
08 B/L	1/2" x 5/16"	12.700	7.75	8.51	4.45	10.80	18.2
10 B/L	5/8" x 3/8"	15.875	9.65	10.16	5.08	13.00	22.7
10 B/L	5/8" x 3/8"	15.875	9.65	10.16	5.08	14.20	22.7
12 B/L	3/4" x 7/16"	19.050	11.68	12.07	5.72	16.13	29.5
16 B/L	1" x 17.02mm	25.400	17.02	15.88	8.28	21.00	58.0
20 B/L	1.1/4" x 3/4"	31.750	19.56	19.05	10.19	26.20	95.0
24 B/L	1.1/2" x 1"	38.100	25.40	25.40	14.63	33.20	170
28 B/L	1.3/4" x 1.1/4"	44.450	30.99	27.94	15.90	37.00	200
32 B/L	2" x 1.1/4"	50.800	30.99	29.21	17.81	41.00	260