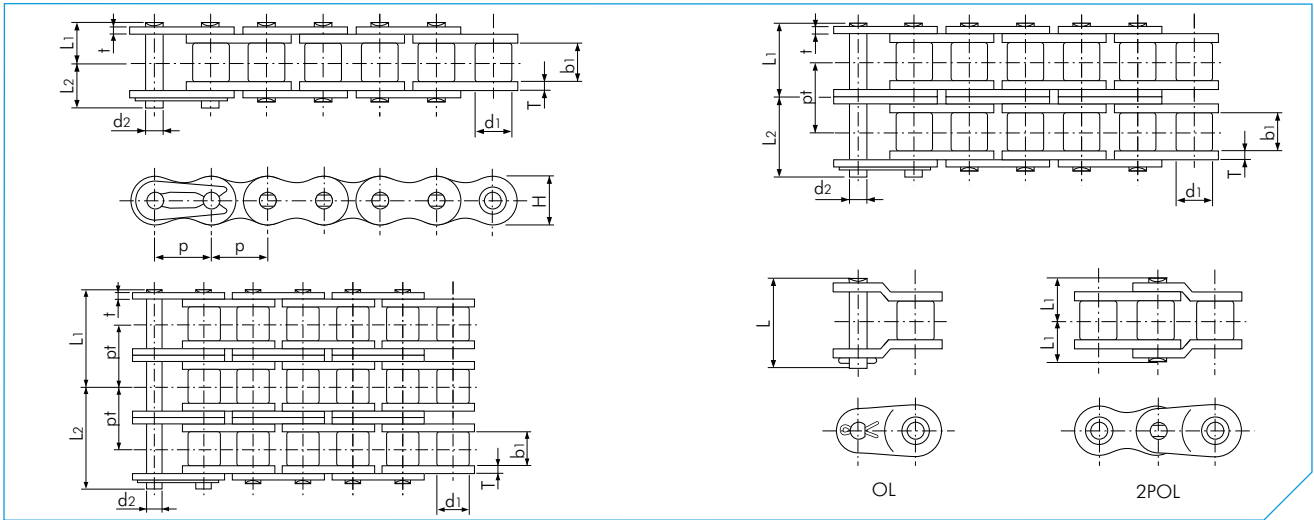


BS RUNNER STANDARD ROLLER CHAIN



BS Runner

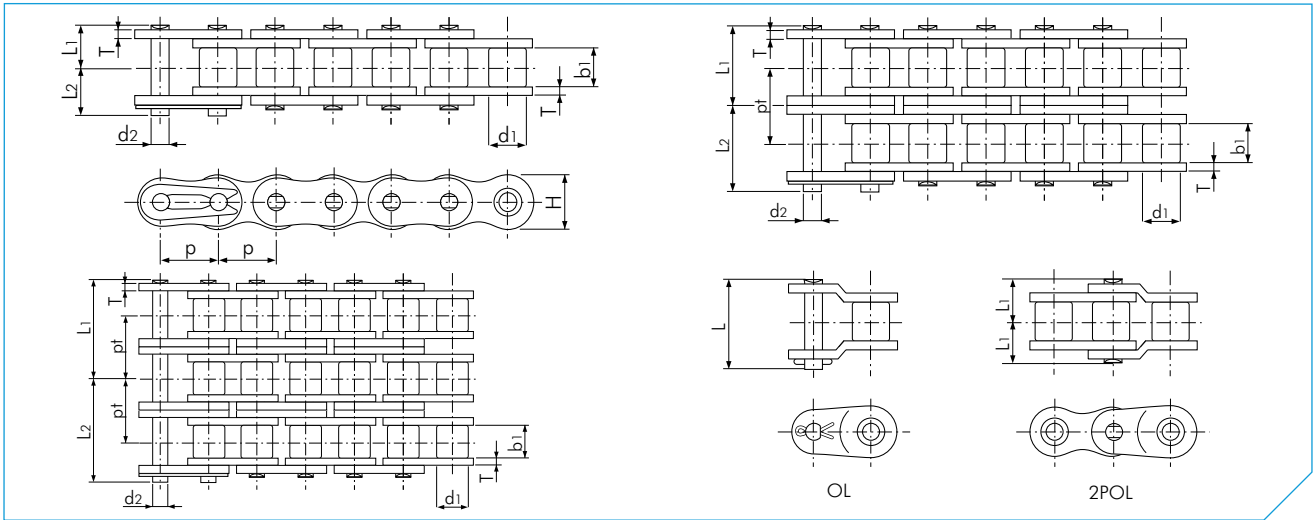
Dimensions in mm

| TSUBAKI Chain No. | Pitch p | Roller Diameter d1 | Inner Width b1 | Pin | | | Link Plate | | | Transverse Pitch pt | Min. Tensile Strength acc. to ISO 606 kN | Min. Tensile Strength acc. to Tsubaki kN | Av. Tensile Strength acc. to Tsubaki kN | Approx. Mass kg/m | | | |
|-------------------|----------------|-----------------------|-------------------|----------------|--------------|--------------|-------------|----------------|----------------|------------------------|---|---|--|----------------------|-------------------|-------|------|
| | | | | Diameter d2 | Length L1 | Length L2 | Length L | Thickness T | Thickness t | | | | | | Height H (max) | | |
| RS05B-1 | 8.00 (0.315") | 5.00 | 3.00 | 2.30 | 3.80 | 4.70 | - | 0.75 | 0.75 | 7.10 | - | 4.4 | 5.0 | 5.8 | 0.18 | | |
| RS05B-2 | | | | | 6.65 | 7.52 | - | | | | 5.64 | 7.8 | 7.8 | 8.9 | 0.35 | | |
| RS05B-3 | | | | | 9.45 | 10.34 | - | | | | 5.64 | 11.1 | 11.2 | 12.8 | 0.53 | | |
| RF06B-1 | 9.525 (3/8") | 6.35 | 5.72 | 3.27 | 6.10 | 7.70 | 14.20 | 1.30 | 1.00 | 8.20 | - | 8.9 | 9.0 | 9.9 | 0.39 | | |
| RF06B-2 | | | | | 11.43 | 12.57 | - | | | | 10.24 | 16.9 | 17.0 | 18.7 | 0.75 | | |
| RF06B-3 | | | | | 16.90 | 17.50 | - | | | | 10.24 | 24.9 | 24.9 | 27.4 | 1.11 | | |
| RS08B-1 | 12.70 (1/2") | 8.51 | 7.75 | 4.45 | 8.40 | 10.00 | 18.40 | 1.60 | 1.60 | 12.00 | - | 17.8 | 19.0 | 20.9 | 0.70 | | |
| RS08B-2 | | | | | 15.30 | 16.90 | 33.60 | | | | 13.92 | 31.1 | 32.0 | 35.2 | 1.35 | | |
| RS08B-3 | | | | | 22.25 | 23.85 | 47.60 | | | | 13.92 | 44.5 | 47.5 | 52.3 | 2.00 | | |
| RS10B-1 | 15.875 (5/8") | 10.16 | 9.65 | 5.08 | 9.55 | 11.25 | 21.10 | 1.50 | 1.50 | 14.70 | - | 22.2 | 23.0 | 25.3 | 0.95 | | |
| RS10B-2 | | | | | 17.85 | 19.55 | 39.40 | | | | 16.59 | 44.5 | 44.5 | 49.0 | 1.85 | | |
| RS10B-3 | | | | | 26.15 | 27.85 | 56.10 | | | | 16.59 | 66.6 | 66.8 | 73.5 | 2.80 | | |
| RS12B-1 | 19.05 (3/4") | 12.07 | 11.68 | 5.72 | 11.10 | 13.00 | 24.80 | 1.80 | 1.80 | 16.10 | - | 28.9 | 31.0 | 34.1 | 1.25 | | |
| RS12B-2 | | | | | 20.85 | 22.75 | 46.30 | | | | 19.46 | 57.8 | 61.0 | 67.1 | 2.50 | | |
| RS12B-3 | | | | | 30.60 | 32.50 | 66.00 | | | | 19.46 | 86.7 | 92.0 | 101.0 | 3.80 | | |
| RS16B-1 | 25.40 (1") | 15.88 | 17.02 | 8.28 | 17.75 | 19.95 | 38.90 | 4.00 | 3.20 | 21.00 | - | 60.0 | 70.0 | 77.0 | 2.70 | | |
| RS16B-2 | | | | | 33.55 | 35.75 | 73.80 | | | | 31.88 | 106.0 | 128.0 | 141.0 | 5.40 | | |
| RS16B-3 | | | | | 49.50 | 51.70 | 105.90 | | | | 31.88 | 160.0 | 192.0 | 211.0 | 8.00 | | |
| RS20B-1 | 31.75 (1 1/4") | 19.05 | 19.56 | 10.19 | 19.90 | 23.10 | 46.95 | 4.40 | 3.40 | 26.00 | - | 95.0 | 98.1 | 108.0 | 3.85 | | |
| RS20B-2 | | | | | 38.25 | 41.45 | 84.85 | | | | 36.45 | 170.0 | 197.0 | 217.0 | 7.65 | | |
| RS20B-3 | | | | | 56.50 | 59.70 | 121.35 | | | | 36.45 | 250.0 | 295.0 | 325.0 | 11.45 | | |
| RS24B-1 | 38.10 (1 1/2") | 25.40 | 25.40 | 14.63 | 26.65 | 31.85 | 62.00 | 6.00 | 5.60 | 33.40 | - | 160.0 | 167.0 | 184.0 | 7.45 | | |
| RS24B-H-1 | | | | | 29.30 | 34.20 | - | | | | 7.50 | 6.00 | 36.20 | - | 234.0 | 270.0 | 8.20 |
| RS24B-2 | | | | | 50.80 | 56.00 | 112.95 | | | | 48.36 | 280.0 | 335.0 | 369.0 | 14.65 | | |
| RS24B-3 | 75.10 | 80.20 | 161.35 | 48.36 | 425.0 | 500.0 | 550.0 | 21.75 | | | | | | | | | |
| RS28B-1 | 44.45 (1 3/4") | 27.94 | 30.99 | 15.90 | 32.45 | 37.45 | 74.50 | 7.50 | 6.30 | 36.40 | - | 200.0 | 200.0 | 220.0 | 9.45 | | |
| RS28B-2 | | | | | 62.15 | 67.15 | 136.85 | | | | 59.56 | 360.0 | 374.0 | 411.0 | 18.80 | | |
| RS28B-3 | | | | | 91.95 | 96.95 | 196.45 | | | | 59.56 | 530.0 | 560.0 | 616.0 | 28.20 | | |
| RS32B-1 | 50.80 (2") | 29.21 | 30.99 | 17.81 | 32.10 | 37.70 | 73.50 | 7.00 | 6.30 | 42.20 | - | 250.0 | 255.0 | 281.0 | 10.25 | | |
| RS32B-2 | | | | | 61.25 | 66.85 | 135.25 | | | | 58.55 | 450.0 | 485.0 | 534.0 | 21.10 | | |
| RS32B-3 | | | | | 90.50 | 96.10 | 193.80 | | | | 58.55 | 670.0 | 729.0 | 802.0 | 29.90 | | |
| RS40B-1 | 63.50 (2 1/2") | 39.37 | 38.10 | 22.89 | 39.25 | 45.05 | 88.85 | 8.50 | 8.00 | 52.90 | - | 355.0 | 373.0 | 410.0 | 16.35 | | |
| RS40B-2 | | | | | 75.40 | 81.20 | 163.55 | | | | 72.29 | 630.0 | 716.0 | 788.0 | 32.00 | | |
| RS40B-3 | | | | | 111.50 | 117.30 | 235.85 | | | | 72.29 | 950.0 | 1080.0 | 1190.0 | 47.75 | | |
| RS48B-1 | 76.20 (3") | 48.26 | 45.72 | 29.23 | 49.30 | 58.80 | 117.70 | 12.10 | 10.00 | 63.80 | - | 560.0 | 565.0 | 618.0 | 25.00 | | |
| RS48B-2 | | | | | 95.00 | 104.40 | 209.00 | | | | 91.21 | 1000.0 | 1000.0 | 1150.0 | 50.00 | | |
| RS48B-3 | | | | | 140.60 | 150.00 | 300.20 | | | | 91.21 | 1500.0 | 1520.0 | 1750.0 | 75.00 | | |

Note:

1. Connecting links are clip type for sizes up to RS16B, and cotter type for sizes RS20B to RS48B.
2. RF06B chain has flat-shaped link plates.
3. Intermediate plate of multi strand RF06B-2 and RS08B-2 chain is a solid plate.
4. Center sink riveting is applied to RS08B-1 to RS16B-1 single strand chain.
5. Double stake riveting is applied to all other sizes including multi-strand chain.
6. When a single pitch offset link is used, please calculate a 35% reduction of the fatigue strength.
7. RS24B-H-1 chain is a reinforced RS24B-1 chain.

ANSI G7 STANDARD ROLLER CHAIN



ANSI G7

Dimensions in mm

| TSUBAKI Chain No. | Pitch p | Roller Diameter d1 | Inner Width b1 | Pin | | | Link Plate | | | Transverse Pitch pt | Min. Tensile Strength acc. to ANSI kN | Min. Tensile Strength acc. to Tsubaki kN | Approx. Mass kg/m |
|-------------------|----------------|-----------------------|-------------------|----------------|--------------|--------------|-------------|----------------|-------------------|------------------------|--|---|----------------------|
| | | | | Diameter d2 | Length L1 | Length L2 | Length L | Thickness T | Height H (max) | | | | |
| RS25-1 | 6.35 (1/4") | 3.30 | 3.18 | 2.31 | 3.80 | 4.50 | - | 0.74 | 5.84 | - | 3.6 | 4.1 | 0.14 |
| RS25-2 | | | | | 6.95 | 7.75 | - | | | 6.40 | 7.2 | 8.2 | 0.27 |
| RS25-3 | | | | | 10.15 | 10.95 | - | | | 6.40 | 10.8 | 12.4 | 0.42 |
| RS35-1 | 9.525 (3/8") | 5.08 | 4.78 | 3.59 | 5.85 | 6.85 | 13.50 | 1.25 | 9.00 | - | 8.7 | 9.8 | 0.33 |
| RS35-2 | | | | | 10.90 | 11.90 | 24.50 | | | 10.10 | 17.4 | 19.6 | 0.69 |
| RS35-3 | | | | | 16.00 | 16.90 | 34.60 | | | 10.10 | 26.1 | 29.4 | 1.05 |
| RS35-4 | 12.70 (1/2") | 7.80 | 7.40 | 3.63 | 21.05 | 21.95 | 44.70 | 1.00 | 9.80 | 10.10 | - | 39.2 | 1.41 |
| RS37-1 | | | | | 5.10 | 5.90 | 12.45 | | | - | - | 8.1 | 0.29 |
| RS38-1 | | | | | 6.00 | 7.10 | 14.10 | | | 1.10 | 9.80 | - | 8.1 |
| RS41-1 | 12.70 (1/2") | 7.77 | 6.38 | 3.59 | 6.75 | 7.95 | 15.10 | 1.25 | 9.80 | - | 7.4 | 10.3 | 0.41 |
| RS40-1 | 12.70 (1/2") | 7.92 | 7.95 | 3.97 | 8.25 | 9.95 | 17.90 | 1.50 | 12.00 | - | 15.2 | 17.7 | 0.64 |
| RS40-2 | | | | | 15.45 | 17.15 | 33.50 | | | 14.40 | 30.4 | 35.3 | 1.27 |
| RS40-3 | | | | | 22.65 | 24.15 | 47.90 | | | 14.40 | 45.6 | 53.0 | 1.90 |
| RS40-4 | 29.90 | 31.30 | 62.30 | 14.40 | - | 70.6 | 2.53 | | | | | | |
| RS50-1 | 15.875 (5/8") | 10.16 | 9.53 | 5.09 | 10.30 | 11.90 | 22.50 | 2.00 | 15.00 | - | 24.0 | 28.4 | 1.04 |
| RS50-2 | | | | | 19.35 | 21.15 | 41.80 | | | 18.10 | 48.0 | 56.9 | 2.07 |
| RS50-3 | | | | | 28.40 | 30.20 | 59.90 | | | 18.10 | 72.0 | 85.3 | 3.09 |
| RS50-4 | 37.45 | 39.25 | 78.10 | 18.10 | - | 114.0 | 4.11 | | | | | | |
| RS60-1 | 19.05 (3/4") | 11.91 | 12.70 | 5.96 | 12.85 | 14.75 | 28.20 | 2.40 | 18.10 | - | 34.2 | 40.2 | 1.53 |
| RS60-2 | | | | | 24.25 | 26.25 | 52.60 | | | 22.80 | 68.4 | 80.4 | 3.04 |
| RS60-3 | | | | | 35.65 | 38.15 | 75.50 | | | 22.80 | 102.6 | 121.0 | 4.54 |
| RS60-4 | 47.05 | 49.55 | 98.30 | 22.80 | - | 161.0 | 6.04 | | | | | | |
| RS80-1 | 25.40 (1") | 15.88 | 15.88 | 7.94 | 16.25 | 19.25 | 36.60 | 3.20 | 24.10 | - | 61.2 | 71.6 | 2.66 |
| RS80-2 | | | | | 30.90 | 33.90 | 67.50 | | | 29.30 | 122.4 | 143.0 | 5.27 |
| RS80-3 | | | | | 45.60 | 48.50 | 96.90 | | | 29.30 | 183.6 | 215.0 | 7.89 |
| RS80-4 | 60.25 | 63.25 | 126.30 | 29.30 | - | 286.0 | 10.50 | | | | | | |
| RS100-1 | 31.75 (1 1/4") | 19.05 | 19.05 | 9.54 | 19.75 | 22.85 | 43.70 | 4.00 | 30.10 | - | 95.4 | 107.0 | 3.99 |
| RS100-2 | | | | | 37.70 | 40.80 | 81.50 | | | 35.80 | 190.8 | 214.0 | 7.85 |
| RS100-3 | | | | | 55.65 | 58.75 | 117.30 | | | 35.80 | 286.2 | 321.0 | 11.77 |
| RS100-4 | 73.55 | 76.65 | 153.10 | 35.80 | - | 428.0 | 15.70 | | | | | | |
| RS120-1 | 38.10 (1 1/2") | 22.23 | 25.40 | 11.11 | 24.90 | 28.90 | 55.00 | 4.80 | 36.20 | - | 137.1 | 148.0 | 5.93 |
| RS120-2 | | | | | 47.60 | 51.60 | 103.20 | | | 45.40 | 274.2 | 296.0 | 11.70 |
| RS120-3 | | | | | 70.40 | 74.40 | 148.60 | | | 45.40 | 411.3 | 444.0 | 17.53 |
| RS120-4 | 93.10 | 97.10 | 194.00 | 45.40 | - | 592.0 | 23.36 | | | | | | |
| RS140-1 | 44.45 (1 3/4") | 25.40 | 25.40 | 12.71 | 26.90 | 31.70 | 59.50 | 5.60 | 42.20 | - | 185.9 | 193.0 | 7.49 |
| RS140-2 | | | | | 51.35 | 56.15 | 112.30 | | | 48.90 | 371.8 | 386.0 | 14.83 |
| RS140-3 | | | | | 75.85 | 80.75 | 161.30 | | | 48.90 | 557.7 | 580.0 | 22.20 |
| RS160-1 | 50.80 (2") | 28.58 | 31.75 | 14.29 | 31.85 | 36.85 | 70.20 | 6.40 | 48.20 | - | 244.6 | 255.0 | 10.10 |
| RS160-2 | | | | | 61.15 | 66.15 | 132.20 | | | 58.50 | 489.2 | 510.0 | 20.04 |
| RS160-3 | | | | | 90.45 | 95.45 | 190.70 | | | 58.50 | 733.8 | 765.0 | 30.02 |
| RS180-1 | 57.15 (2 1/4") | 35.71 | 35.72 | 17.46 | 35.65 | 42.45 | 80.60 | 7.15 | 54.20 | - | 308.2 | 336.0 | 13.45 |
| RS180-2 | | | | | 68.75 | 75.35 | 151.10 | | | 65.80 | 616.4 | 673.0 | 26.52 |
| RS180-3 | | | | | 101.70 | 108.50 | 216.90 | | | 65.80 | 924.6 | 1010.0 | 38.22 |
| RS200-1 | 63.50 (2 1/2") | 39.68 | 38.10 | 19.85 | 39.00 | 44.80 | 87.30 | 8.00 | 60.30 | - | 381.7 | 427.0 | 16.49 |
| RS200-2 | | | | | 74.85 | 80.65 | 161.20 | | | 71.60 | 763.4 | 853.0 | 32.63 |
| RS200-3 | | | | | 110.75 | 116.45 | 233.00 | | | 71.60 | 1145.1 | 1280.0 | 49.02 |
| RS240-1 | 76.20 (3") | 47.63 | 47.63 | 23.81 | 47.90 | 55.50 | 106.70 | 9.50 | 72.40 | - | 550.4 | 623.0 | 24.50 |
| RS240-2 | | | | | 91.90 | 99.40 | 198.40 | | | 87.80 | 1100.8 | 1250.0 | 48.10 |

Note:

- RS25 - RS35 are rollerless chain (only bush). The figure shown is the bush diameter.
- Connecting links are clip type for sizes up to RS60, and cotter type for sizes RS80 to RS200. RS240 connecting links are spring pin type.
- When a single pitch offset link is used, please calculate a 35% reduction of the fatigue strength.